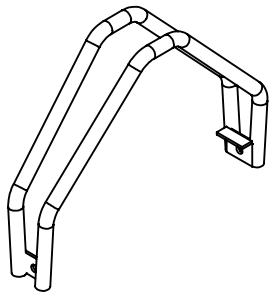


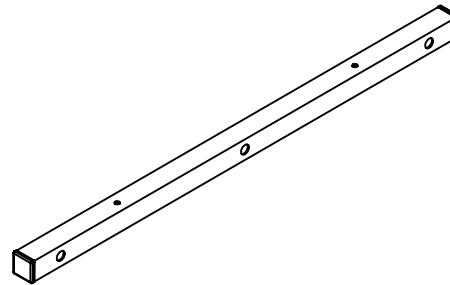
# ASSEMBLY INSTRUCTION

## Stand for bicycle short

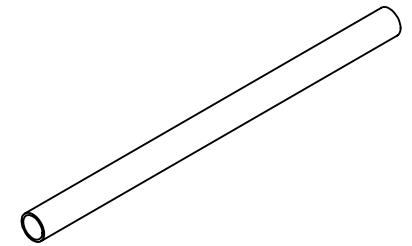
### List of items packed



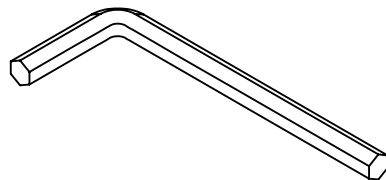
3 sets



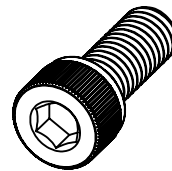
Square Tube 30x30mm  
2pcs



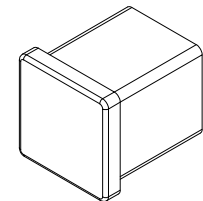
Tube  $\text{Ø}12.7 \times 1$ mm  
1pcs



Allen Key 6mm  
1pcs

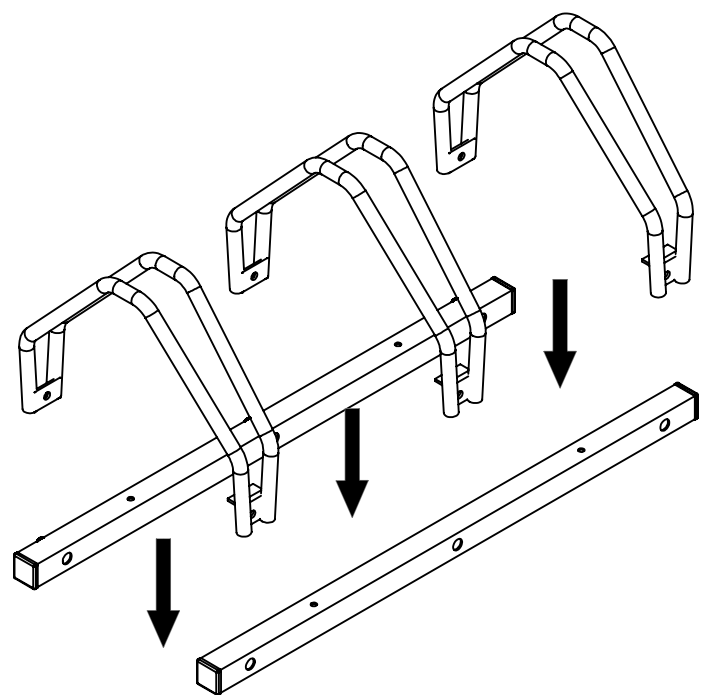


Bolt M8x20mm  
2pcs/set

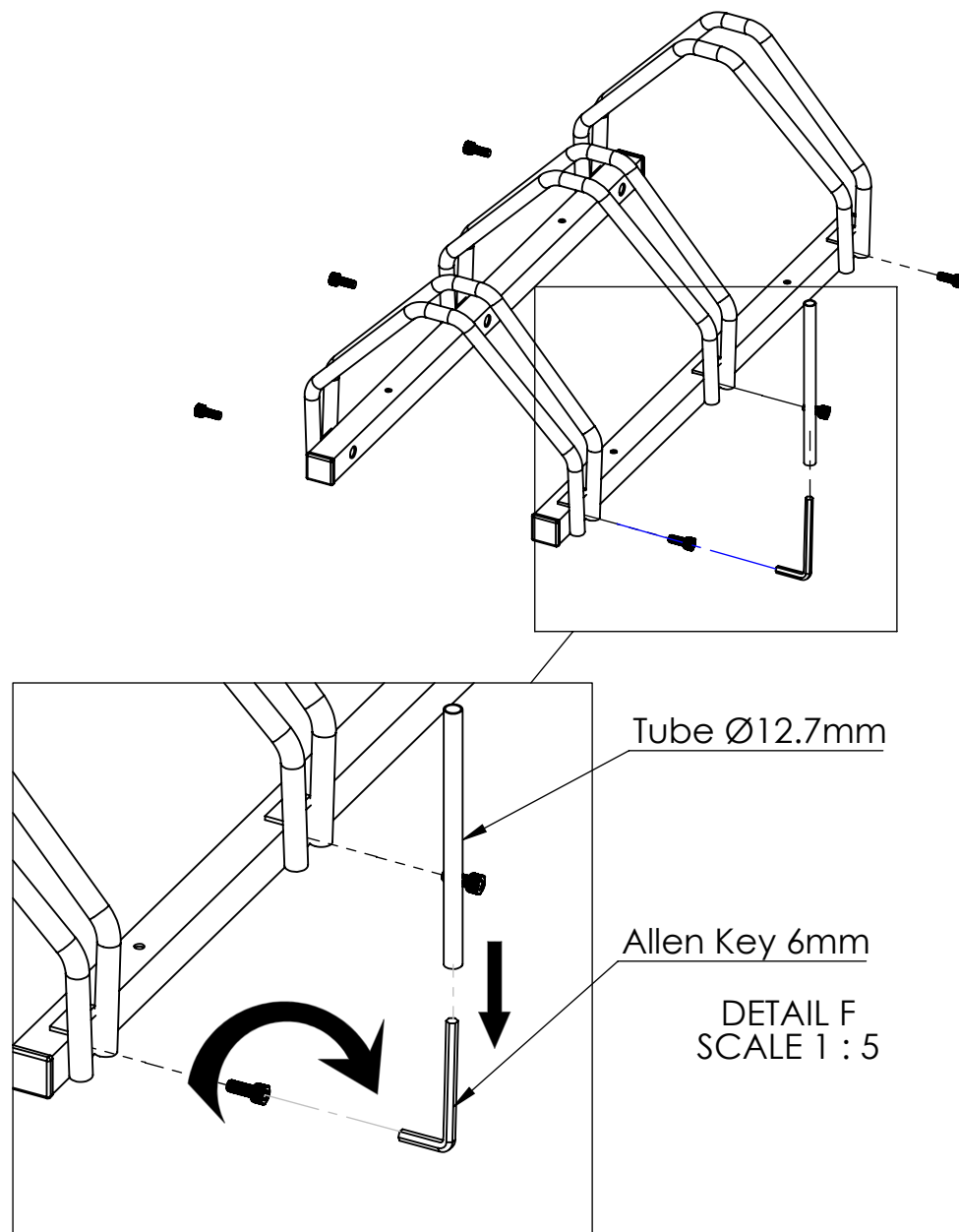


Plastic cap 30x30mm  
4pcs

STEP 1



STEP 2



STEP 3

